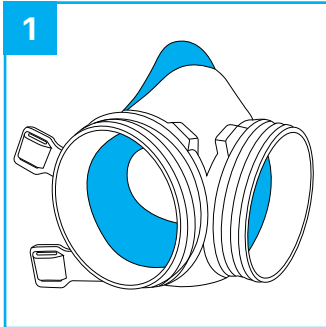


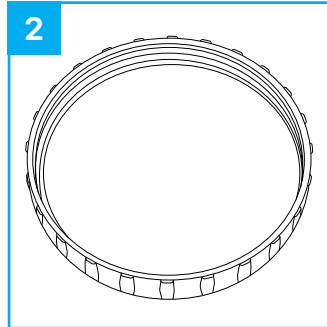
Catalogue ID	Manufacturer	IO Auth	Shelf life
AIR01-ML-NF	Precision ADM Inc.	320273	2 years

## Donning Instructions

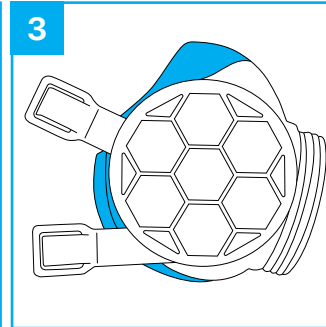
To be used with disposable filter cartridges DT72-FC01-95PFE



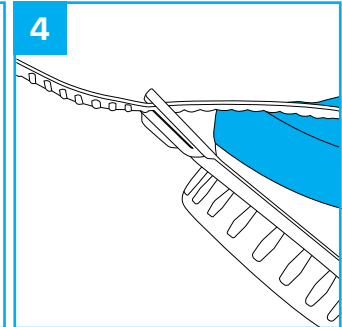
Prior to loading filter, place harness around filter ports using the embossed features to align the right and left harnesses on their respective sides of the mask.



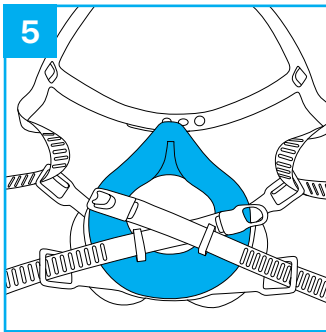
Unpackage **filter cartridge** immediately prior to intended use. Ensure the **filter pancake** is sitting flush against the bottom face of the cap. Remove the filter and reinsert if it has creases or is bunching along the edges.



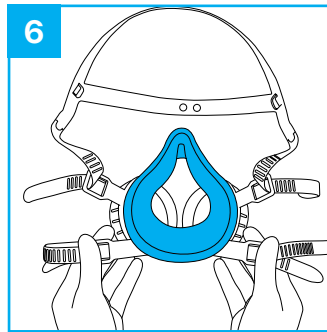
Align **filter cartridge** with port and harness. Carefully align threads and rotate clockwise until hand tight. Repeat this process for the other filter port.



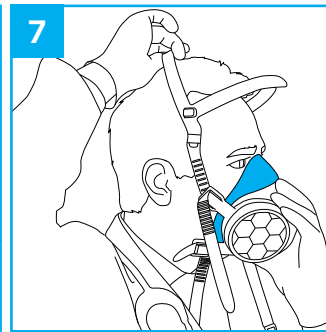
Pinch the **neck straps** through one of the bottom tensioners attached to the harness. The ribbed side of the strap should be facing downward (away from user) as it is fed through the tensioner.



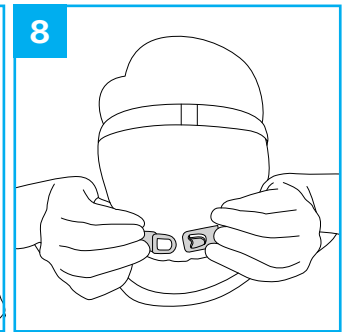
Repeat above step for the straps on the **head halo**.



Splay the **neck straps** and bring the mask up to your face.



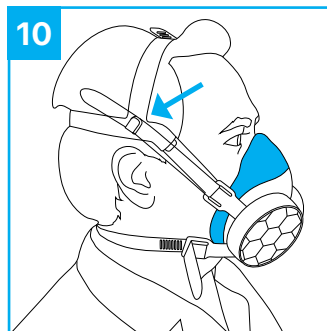
Use one hand to hold the mask on your face and the other to pull the **head halo** over head until seated comfortably. Ensure the straps are loosely fitted.



Loop the **neck straps** around your neck and connect the hook and loop.



Pull on the straps one side at a time in the direction parallel to the **strap tensioner**. Tighten the **head halo** straps until the mask fits snug against your face. Repeat for the **neck straps**, ensuring enough play for proper neck mobility.



Ensure there is no adverse pressure or discomfort. Hook the loose **head halo** strap ends into the hook feature on the **head halo** (just above the ears).



### Questions?

Scan the QR code to watch a video showing assembly and donning.



Included parts	Qty.	Catalogue ID
Mask Body (Medium/Large)	1	DT72-ML01
Neck Strap Hook	1	NH01
Neck Strap Loop	1	NL01
Head Halo	1	HH01
Strap Harness – Right	1	DT72-SH01R
Strap Harness – Left	1	DT72-SH01L

Catalogue ID	Manufacturer	IO Auth	Shelf life
AIR01-ML-NF	Precision ADM Inc.	320273	2 years

### Positive Pressure User Seal Check Instructions

- Inhale gently and hold breath, cover the opening of the filter ports with both palms. Ensure that all, if not most of the opening is covered. **(See Fig. 1)**
- Exhale gently, paying attention to the integrity of the face seal.
- During exhalation, the facepiece should not be disturbed or adjusted by the action of covering the filter ports.
- If a slight positive pressure can be maintained during exhalation, and no obvious outward air leakage from the face seal is detected, then the user seal check is successful.
- If leakage of air is detected, remove the respirator, and adjust the face seal, harness position and strap tension. Once adjusted, repeat the seal check.
- If leakage of air is detected again, the user should remove the respirator. Inspect the components for a cause of the leakage, correct any issues found, replace the respirator, and repeat the seal check.



**Fig. 1**  
Covering Filter Ports

### Negative Pressure User Seal Check Instructions

- Cover the opening of the filter ports with both palms, ensuring that all, if not most of the opening is covered. **(See Fig. 1)**
- Inhale gently, paying attention to the integrity of the face seal.
- During inhalation, the facepiece should not be disturbed or adjusted by the action of covering the filter ports.
- If a slight negative pressure can be maintained during inhalation, and no obvious inward air leakage from the face seal is detected, then the user seal check is successful.
- If leakage of air is detected, remove the respirator, and adjust the face seal, harness position and strap tension. Once adjusted, repeat the seal check.
- If leakage of air is detected again and remove the respirator. Inspect the components for a cause of the leakage, correct any issues found, replace the respirator, and repeat the seal check.

### Doffing Instructions

- Remove the straps from the Head Halo clips and the Strap Bands (if used).
- To loosen the straps, push the tongue of the tensioner away from the user and pull the strap through the tensioner. Repeat this process for all straps.
- Next, remove the Head Halo to allow the Mask to hang in front of the user.
- Unhook the Neck Straps to complete the doffing of the mask.

### Cautions and limitations



- Do not use in atmospheres containing less than 19.5% oxygen.
- Do not use in atmospheres immediately dangerous to life or health.
- Do not exceed maximum use concentrations established by regulatory standards.
- Failure to properly use and maintain this product could result in injury or death.
- All approved respirators shall be selected, fitted, used and maintained in accordance with OSHA, CSA and other applicable regulations.
- Never substitute, modify, add or omit parts. Use only exact replacement parts in the configuration as specified by the manufacturer.
- 95PFE – Precision AIR™ helps protect against certain particulate contaminants but does not eliminate exposure to or the risk of contracting any disease or infection.
- Product not made with natural rubber latex.
- Always follow reprocessing instructions prior to using mask.
- Store in Low Humidity Environment Between 20-25C.
- Do not touch filter after donning mask.